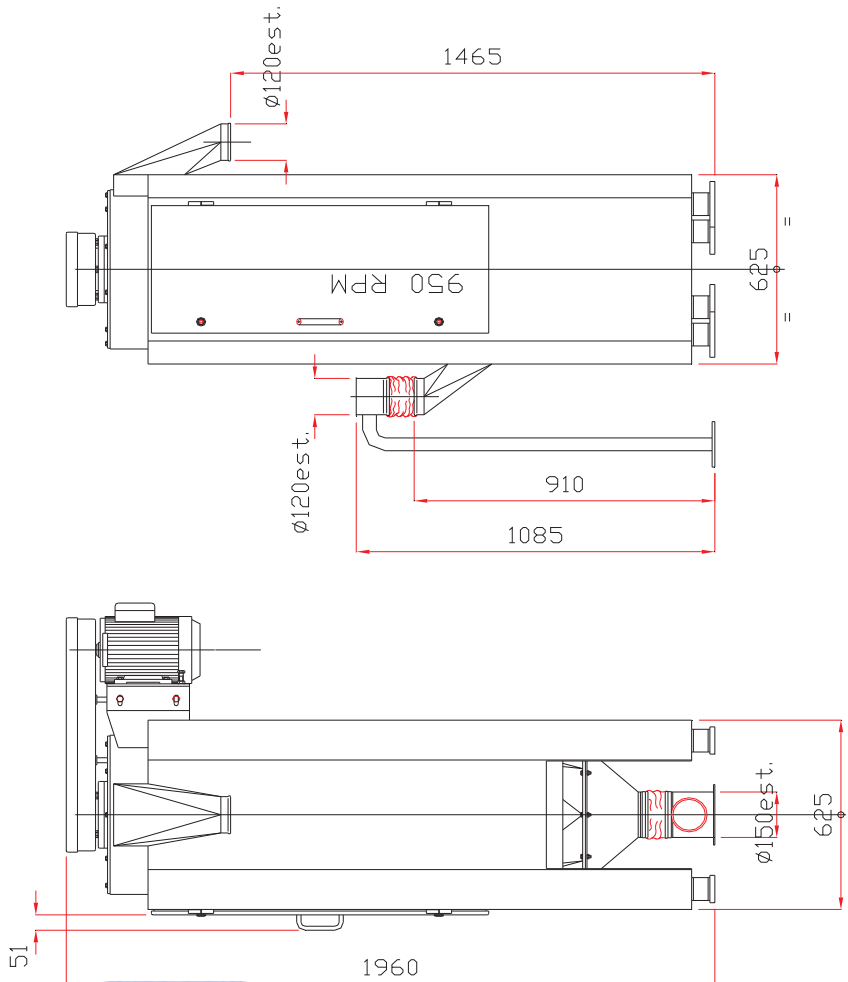
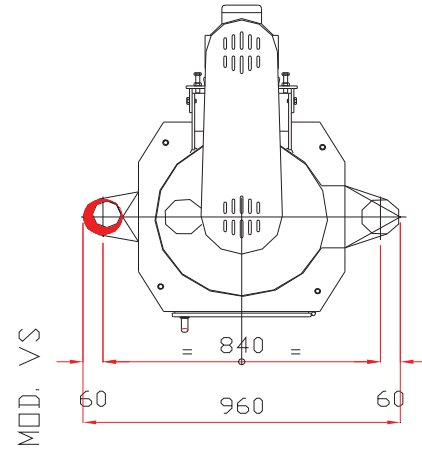
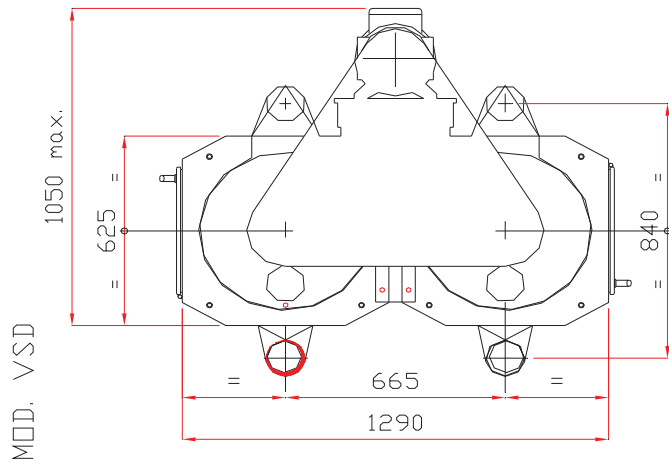


# VIBROPAZZOLA VERTICALE VS



	MOD. VS		MOD. VSD	
	Crusca Bran Kleie	Farina Flour Mehl	Crusca Bran Kleie	Crusca Bran Kleie
kw	4	5.5	4	5.5
T/h		0.4	0.6	1.2
Kg	365	372	372	708
m <sup>3</sup>		2		3.4

Quote e dati non impegnativi/Design changes reserved/Modifications reserves/Änderungen vorbehalten



# S.COM

VIA PIEROBON, 31  
35010 LIMENA PD ITALIA  
INFO@SICOM-ITALY.COM

TEL +39/0498848090  
FAX +39/0498848070  
WWW.SICOM-ITALY.COM