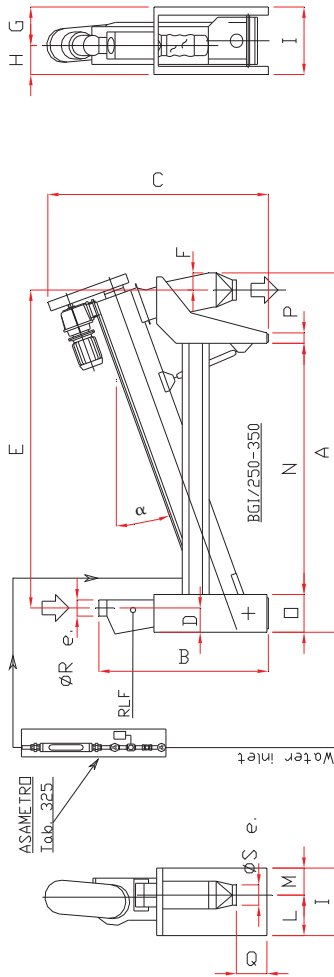


# BAGNATRICE INCLINATA BGI



Tipo/type Typ	Kw	T/h	%H <sub>2</sub> O ass.	RPM	Kg
BGI/250	3	2,5 4	5	420	
	4	5 6	4,5	420	320
	-	-	-	-	-
BGI/350	5,5	7 10	4,5	330	
	7,5	11 15	4	330	470
	11	15 18	4	330	
BGI/500	11	21 25	3	250	870
	15	25 35	3	250	

Tipo/type Typ	A	B	C	D	E	F	G	H	i	L	M	N	D	P	Q	ø R	ø S			
BGI/250	2662	1260	α=20°	1640	1800	1960	182	2355	127	285	215	500	300	200	1860	280	75	220	120	150
			α=25°	1750	1920	2100	167	2355	127	365	295	660	390	270	1860	280	150	220	150	150
BGI/350	2662	1420	-	2450	177	2277	205	535	365	900	550	350	1722	350	180	745	200	200	200	

Quote e dati non impegnativi/Design changes reserved/Modifications reserves/Änderungen vorbehalten



# S.COM

VIA PIEROBON, 31  
35010 LIMENA PD ITALIA  
INFO@SICOM-ITALY.COM

TEL +39/0498848090  
FAX +39/0498848070  
WWW.SICOM-ITALY.COM